



BRITISH MOTOR HERITAGE  
APPROVED DISTRIBUTOR

## QUALITY PARTS FOR TRIUMPH

Rimmer Brothers Limited · Triumph House · Sleaford Road · Bracebridge Heath · Lincoln LN4 2NA  
Telephone: 0522 568000 · Fax: 0522 567600

### FITTING THE LENHAM HARDTOP FOR THE TR7

Remove the rear carpeted board under the rear hood rail and unbolt the rear rail of the hood. The hood can now be folded down or completely removed by unbolting the two bolts at either side just behind the door shuts. Fit angle brackets supplied into the top of these two bolts.

### WIRING UP THE CAR FOR A HEATED REAR WINDOW

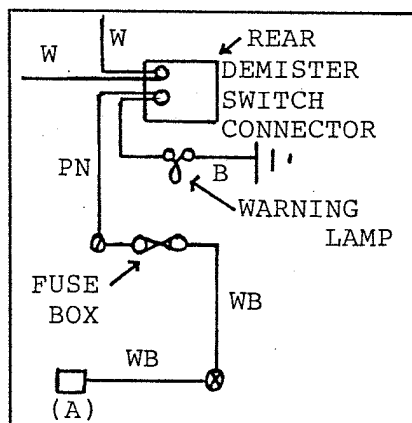
You will need to purchase HRW switch TKC5087.

Remove the dashboard moulding on the drivers side by unscrewing the Philips type screws (7). Unscrew and pull forward the centre switch panel.

The switch panel cover has removable sections for supplementary switches. You will see the one marked REAR DEMIST. Cut out the appropriate hole and expose the name tag section underneath. Fit the rear demist switch 'top up'. Connect the plug of the loom to the back of the rear demist switch. Remove the rear shelf panels and feed a single 15amp cable from the O/S hinge area for the soft top to the N/S rear wing and connect to spare connection (A) (found behind N/S/R inner wing. This wire is WHITE/BLACK STRIPE. Refit the instrument panel cover and dash cover.

Open both doors and clean the rear scuttle and sides where the hardtop will sit. Place the hardtop onto the car and carefully clip down onto the screen. Secure the top at either side with the two hook-bolts provided. Very carefully close the doors to make sure that the rear of the side draft excluders are the correct length. If these are a fraction long they may need slight adjustment and are left as long as possible to ensure a good seal. Trim the cable and fit a connection to suit the connection provided on the hardtop. Fit a connection to the other wire and route to a suitable good earth. Replace shelf panels taking care not to trap or damage the wires.

EXISTING WIRING



W = WHITE  
B = BLACK  
P = PURPLE  
N = BROWN

NEW WIRING

